

SkirtingHeat® – an alternative to underfloor heating for new builds and renovations

SkirtingHeat® is the ideal alternative to radiators where underfloor heating (UFH) is not an option. Suitable for new build and renovation projects, SkirtingHeat® is compatible with both traditional boilers and renewable technologies such as heat pumps.

How it works

SkirtingHeat® from Nu-Heat is an energy efficient radiant heating system, ingeniously designed to look just like a skirting board, blending invisibly into the room and saving you valuable wall space.

The perfect radiator replacement for areas where you want to retain the existing floor finish, SkirtingHeat® responds quickly to heat demand. Warm water passes through hidden pipes moulded into the back of the unique, patented aluminium profile, radiating warmth into the room.

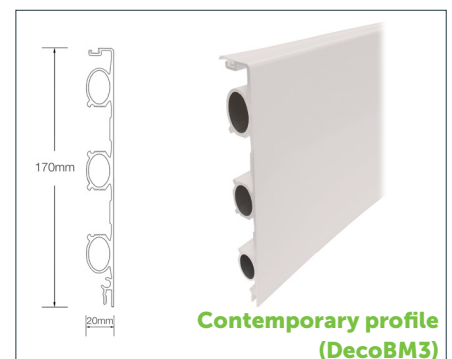
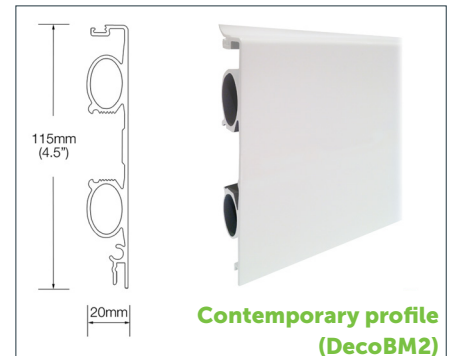
Compatible with traditional boilers, SkirtingHeat® also works well with the lower flow temperatures of heat pumps due to its greater surface area, aluminium construction and good all-around heat distribution. SkirtingHeat® is available in 2-pipe and 3-pipe configurations to suit different heat output requirements, with the 3-pipe profile perfect for use in harder-to-heat spaces, or to provide greater efficiency when used in conjunction with a low flow temperature heat pump.

SkirtingHeat® can be easily integrated into a whole-house heating system using Nu-Heat's unique radiator manifold option, which enables full control of your underfloor heating and skirting heating via a smartphone or tablet.

Manufactured in the UK from highly conductive aluminium alloy, SkirtingHeat® is available in lengths of up to 6m, with unique and patented push-fit connectors, for a fast and simple installation. It can be easily connected to standard 15mm 2-pipe radiator plumbing, and there is no need to mitre, butt or scribe the joints. SkirtingHeat® also has a unique silicone top edge seal that can be removed to allow painting and re-decorating without masking off or 'cutting in', and which makes caulking entirely optional.

Finishes

SkirtingHeat® is available in a simple square edge profile or with a traditional Torus-profile capping to suit any interior. Supplied in powder-coated white, panels can be over-painted in the colour of your choice using oil- or enamel-based radiator paint. For decorative top cappings, a flexible, plasticised paint should be used. Lightly rub down before applying paint.



Features of SkirtingHeat®

- Ideal for domestic and light commercial applications
- Super slim 20mm profiles up to 6 metres long
- Damage resistant, simple to clean, stainless steel covers
- Rapid front fixing
- Also available in a matching MDF profile for non-heated areas with exact dimensions and detail

Dimensions:

Deco BM2: 115mm high

Deco BM3: 170mm high

Deco BM2TS: 160mm high

Deco BM3TS: 215mm high

All styles are 20mm deep and up to 6m long.

Heat Outputs

Flow water temperature	Available heat flow, W/m					
	40 °C	45 °C	50 °C	55 °C	65 °C	75 °C
DecoBM2 & BM2TS (2-Pipe System)	40	53	66	80	105	143
DecoBM3 & BM3TS (3-Pipe System)	60	80	98	119	166	215

