

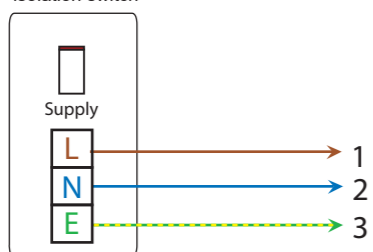
W2BUNeWY - Electrical 2nd fix, Boiler system, Combi or User supplied cylinder, W or Y Plan control system, Programmable thermostats

KEY

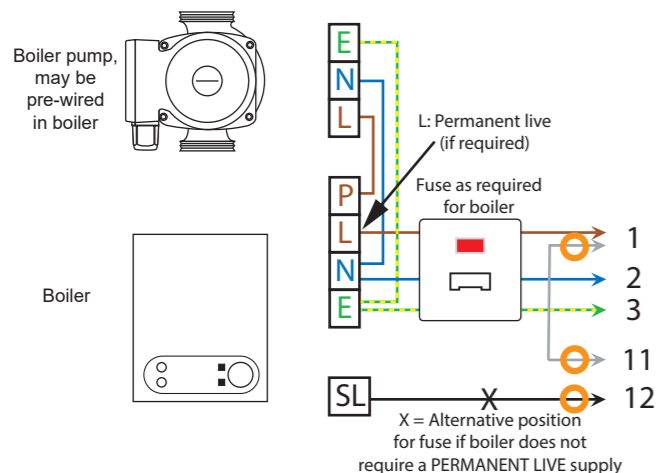
Note: colour of wires may vary from those shown. Earth where required.

- SL Switched Live
- L Live
- N Neutral
- E Earth
- P Boiler pump live
- Ls Low voltage Source
- Lr Low voltage Return
- HW Hot water switched live
- RAD Radiator switched live
- Live voltage marker sleeve

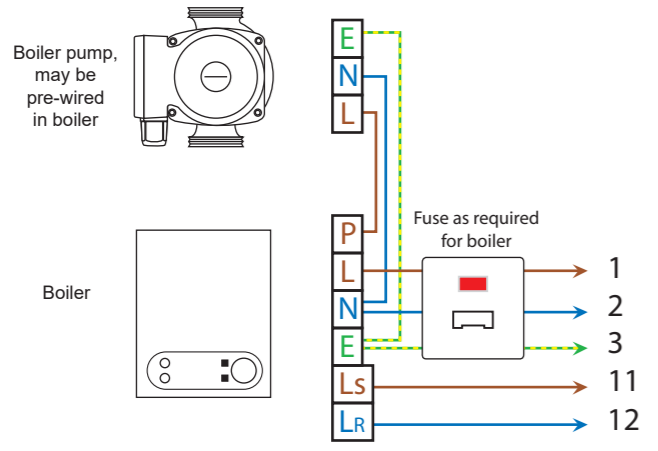
Heating system isolation switch



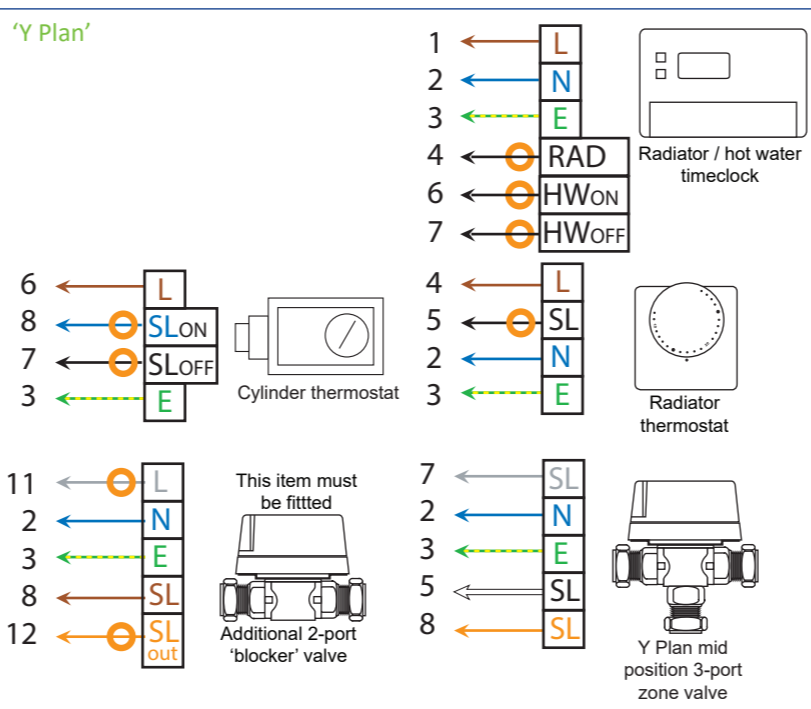
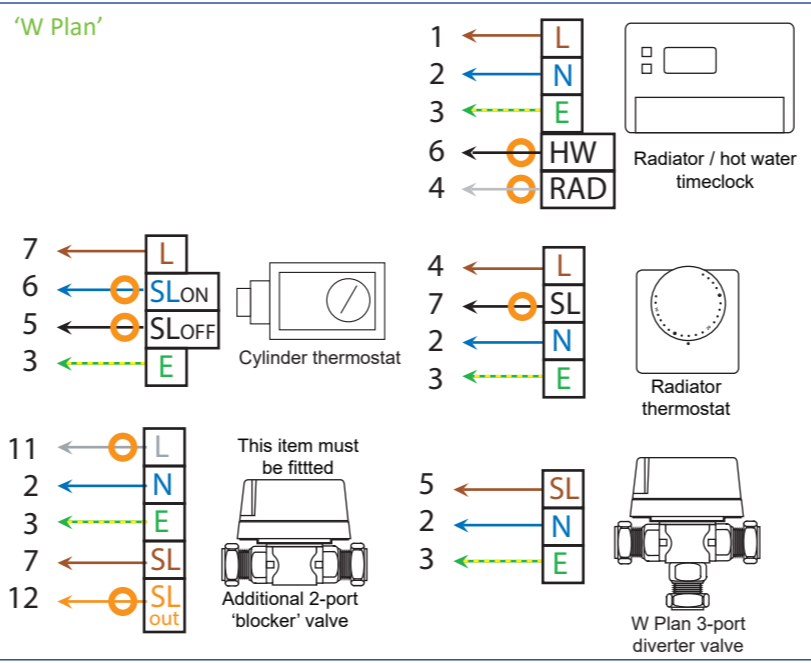
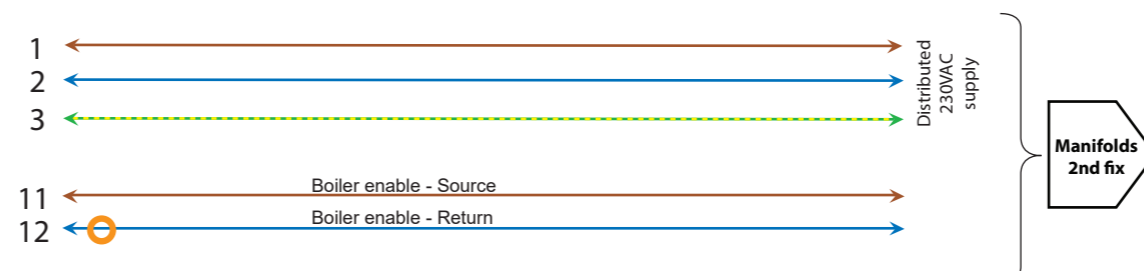
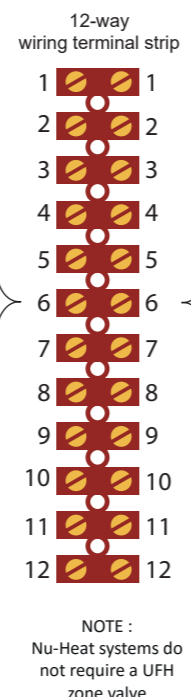
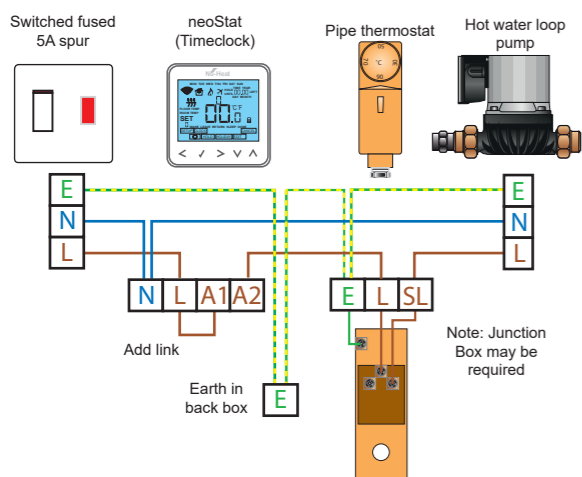
Boiler with mains voltage switching (the majority of modern boilers)



Boiler with low voltage switching (a minority of higher specification boilers)



EnergyPro Hot Water Loop Plus (option)



Notes:

BS7671: 2008. Requirements for Electrical Installations, IEE Wiring Regulations, Building Regulations Electrical Safety (Part P)

Installation must be carried out by a Competent Person or, failing that, the local building control authority must be notified of the proposed work before commencement and the completed installation must be inspected by a Competent Person.

The schematic should be read in conjunction with the Solar manual, the Underfloor heating Installation manual, any 'Product Data Sheets' and the manufacturer's manuals provided.

All fused spurs must be fitted with 5 amp fuses unless otherwise stated.

Where live conductors are sleeved in a colour other than brown, coloured marker sleeves should be fitted at the ends of the wires to identify them.

When radiators are used in conjunction with underfloor heating, the parts shown must be fitted in order to give independent control.

Always refer to the boiler manufacturer's wiring instructions for identification of boiler terminals.

Compliance with Part G3 Building Regulations remains the responsibility of the installer

Extending an existing heating control system

If the existing control system is W Plan or Y Plan, based on a 3-port zone valve, you should preferably convert it to S Plan based on 2-port zone valves (not supplied). If the existing system is based on 2-port zone valves then it is already 'S Plan' so leave the existing zone valves in place.

S Plan 2nd Fix is covered in a separate drawing.

For W Plan or Y Plan systems, if pipework prevents a change from 3-port to 2-port valves, you must fit an additional 2-port 'blocker' valve. Leave any existing timeclock(s) in place.

Parts shown in outline are generally supplied by others. Where connections are shown to equipment that is not supplied by Nu-Heat, this is for guidance only. In all such cases the supplier's installation information should be checked before fixing and connecting the equipment.

In line with the company policy of product development, Nu-Heat reserves the right to supply different components to those shown.

If there is any aspect of the installation that you do not understand, please contact Nu-Heat Technical, quoting your QR (system reference) number.

This drawing is not site-specific. The number and type of cylinders, pumps and timeclocks might all vary from those shown.

Underfloor Heating Control System
W2BUNeWY - Electrical 2nd fix, Boiler system, Combi or User supplied cylinder, W or Y Plan control system, Programmable thermostats